

P.V.G.'s
Muktangan English School & Jr. College Pune - 09
II Term Summative Written Examination (2024-25)
Standard - IV **Div -**

Date : 28.03.2025

Time : 1.00 pm to 3.30 pm

Subject : Mathematics

Name : _____ Roll No. : _____

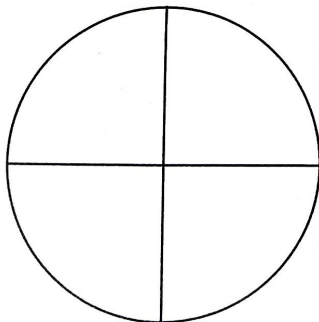
Supervisor's Sign :	Examiner's Sign. :	Marks _____ 30
---------------------	--------------------	-------------------

Q1. Do as directed

(5)

1. $15 \times 5 =$ _____ (Fill in the blank)
2. $19 \times 10 =$ _____ (Fill in the blank)
3. The unit of area is _____ centimeter.
4.

 The area of the given figure is _____.
5. $\frac{8}{10} =$ _____ (Write the fraction in words)
6. $10 \div 2 =$ _____ (Write the quotient)
7. Dividend = _____ x Quotient + Remainder
8. $35 + 30 =$ _____ (Add the given numbers)
9. $\frac{4}{5}$, $1\frac{2}{6}$, $\frac{7}{5}$ (Circle the mixed fraction)
10. (Colour the $\frac{3}{4}$ part of the given figure)



(4)

Q2. Solve (Multiplication)

1.
$$\begin{array}{r} 702 \\ \times 7 \\ \hline \end{array}$$

Ans. _____

2.
$$\begin{array}{r} 35 \\ \times 46 \\ \hline \end{array}$$

Ans. _____

Q3. Solve (Division)

(4)

1) $72 \div 4$

Q = _____

R = _____

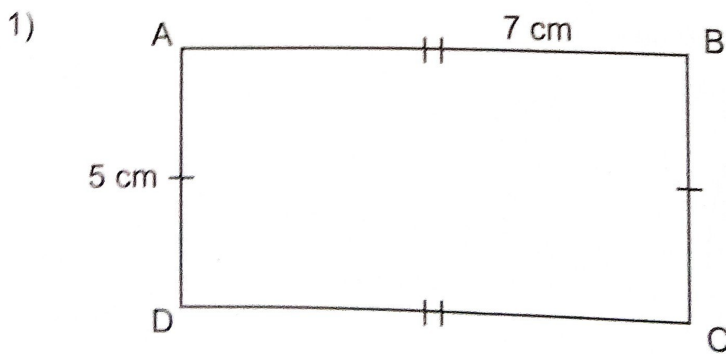
2) $158 \div 6$

Q = _____

R = _____

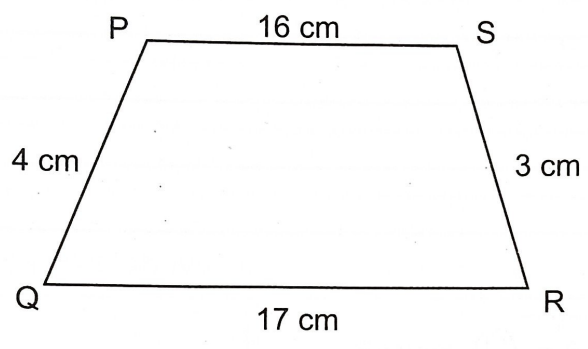
Q4. Find the perimeter of the given figures

(4)



Ans. _____

2)



Ans. _____

Q5. Convert the following.

(2)

1. 15 cm = _____ mm

2. 4 Kg = _____ gm

Ans. _____

Ans. _____

Q6. Word Problems.

1. There are 20 sacks of wheat in a store. If each sack weighs 115 kg what is the total weight of all the sacks?

Ans.

2. If 440 children stand in 5 equal rows for a drill, how many children will be there in each row?

Ans.

3. A triangular plot measures 170m, 180m and 150m. Find its perimeter.

Ans.

Q7. The pictograph shows the students of standard IV playing various games. (5)

Type of games	Number of students
Football	Scale = 😊 = 5 students 😊 😊 😊
Basketball	😊 😊 😊 😊
Chess	😊
Cricket	😊 😊 😊 😊 😊
Kho-Kho	😊 😊

Answer the following questions with reference to the given pictograph.

1) Which game is played by the maximum number of students? How many students play it?

Ans. _____

2) Which game is played by the least number of students?

Ans. _____

3) How many students would like to play football?

Ans. _____

4) Name the game which is played by only 10 students.

Ans. _____



The pictograph shows the students of standard IV, having various games.

Game	Number of students
Football	15
Basketball	10
Cricket	5
Other	10
Badminton	5

Answer the following question with reference to the given pictograph.

1. Which game is played by the maximum number of students? How many students?

Ans. _____
